



CAR STACKERS INTERNATIONAL

Data sheets for car lifts

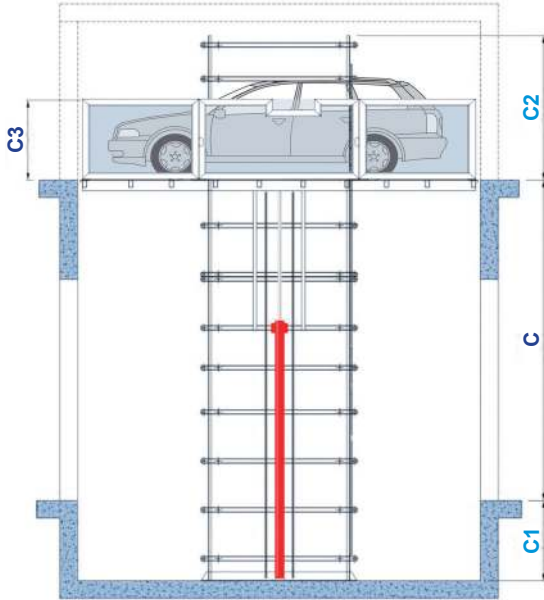


CL1-C

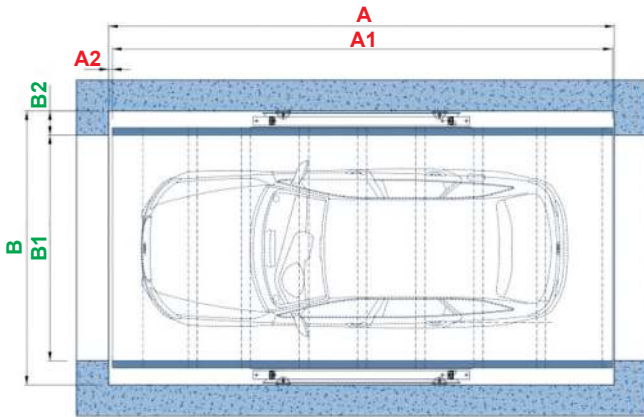
Car Lift

Technical specification	
N° of cylinders	2
Capacity (kg)	3000
(HP/KW) Motor	7.5/5.5 (Max. 12.5/9.5)
Estimated Speed (cm/s)	7/10

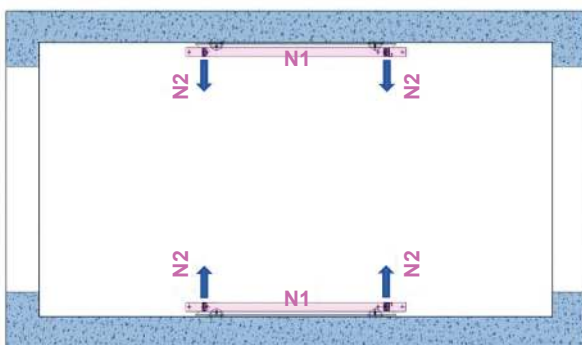
MODEL WITHOUT DRIVER ON BOARD



Section view – UP



Plant Dimensions



DIMENSIONS FOR STANDARD MACHINE

Definition	Ref.	Standard (mm)	Max (mm)
Pit length	A	5360	6000
Flatbed length	A1	5310	5950
Wall distance	A2	25	
Pit width	B	3000	3500
Clear passage	B1	2500	3000
Side dimension	B2	250	
Stroke	C	3000	9000
Parapets high	C3	1200	2100

Lateral guide projection over max level (mm)

C1 Extra pit		C2 Guides projection
300 >>		1200
1500 >>		0



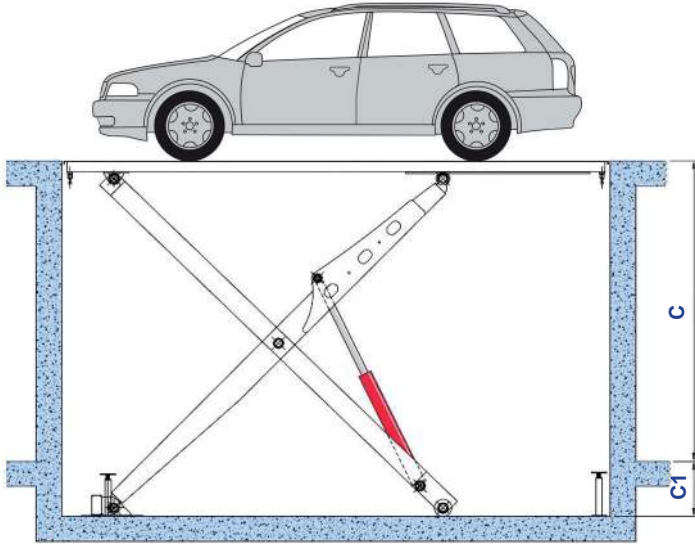
Loads (kN)	
N1	35
N2	2

CL1-P

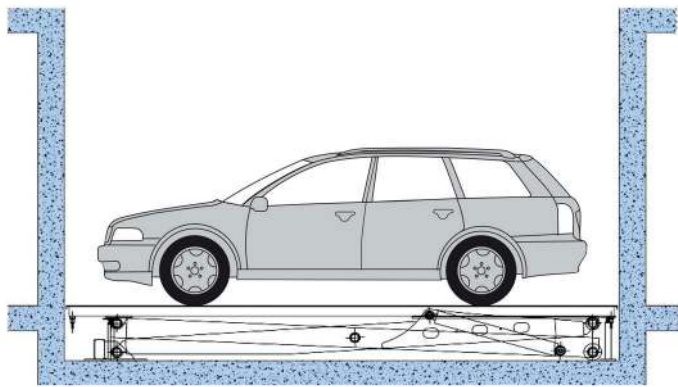
Car Lift

Technical specification	
N° of cylinders	2
Capacity (kg)	2500
(HP/KW) Motor	5.5/4 (Max. 7.5/5.5)
Estimated Speed (cm/s)	7/10

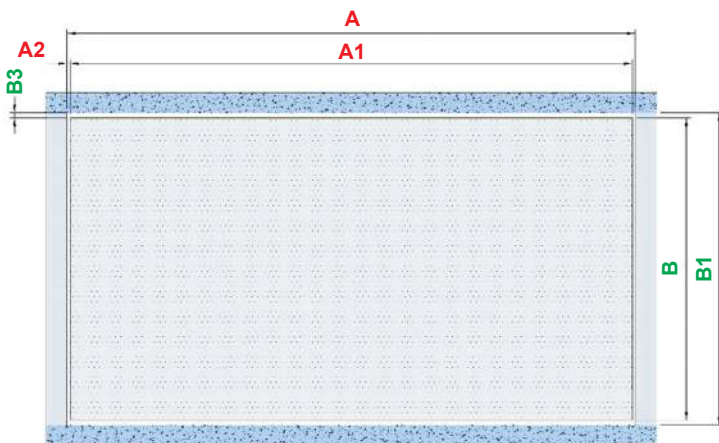
MODEL WITHOUT DRIVER ON BOARD



Section view – UP



Section view – DOWN



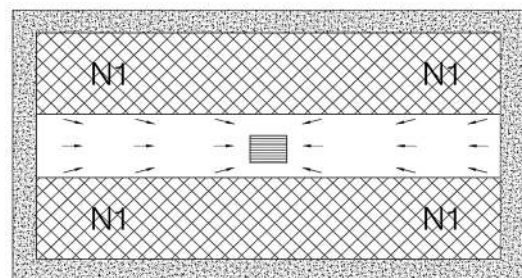
Plant Dimensions

DIMENSIONS FOR STANDARD MACHINE

Definition	Ref.	Standard (mm)	Max (mm)
Pit length	A	5100	6000
Flatbed length	A1	5050	5950
Wall distance	A2	25	
Pit width	B	2500	3000
Flatbed width	B1	2450	2950
Wall distance	B3	25	
Stroke	C	3000	4000
Extra pit	C1	550/650	



Loads (kN)	
N1	35



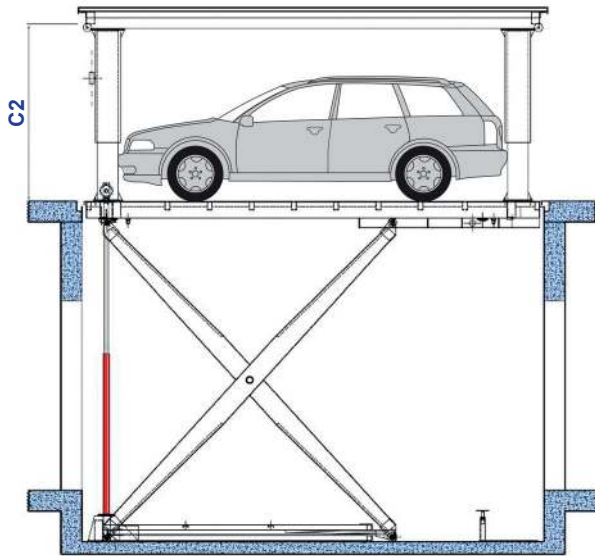
CL1R-3-P

► Car Lift

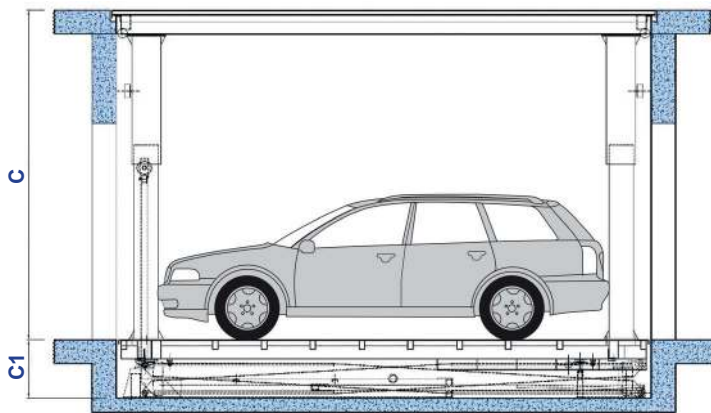
Technical specification

N° of cylinders	3
Capacity (kg)	3500
(HP/KW) Motor	5.5/4 (Max. 7.5/5.5)
Estimated Speed (cm/s)	6/8

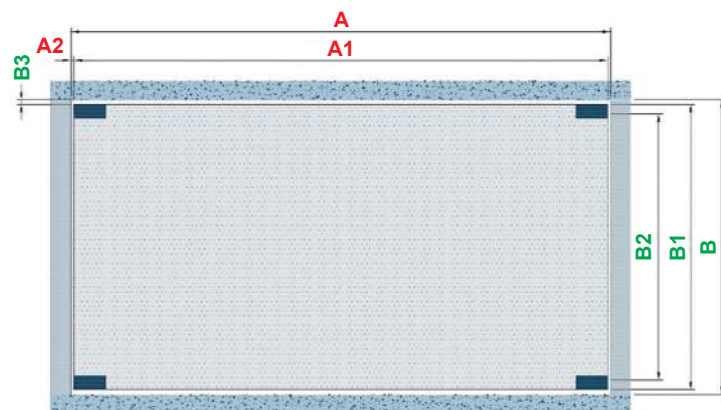
► MODEL WITHOUT DRIVER ON BOARD



Section view – UP



Section view – DOWN



Plant Dimensions

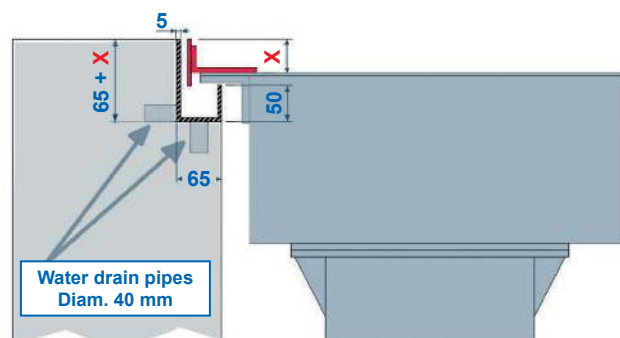
► DIMENSIONS FOR STANDARD MACHINE

Definition	Ref.	Standard (mm)	Max (mm)
Pit length	A	5360	6500
Flatbed length	A1	5310	6450
Wall distance	A2	25	
Pit width	B	2500	3000
Flatbed width	B1	2450	2950
Clear passage	B2	2200	2700
Wall distance	B3	25	
Stroke	C	2700	3800
Extra pit	C1	570/620	
Clear passage	C2	1800	2200



Ex. DRAINAGE CHANNEL FLOOR X mm

More details on other specific sheet

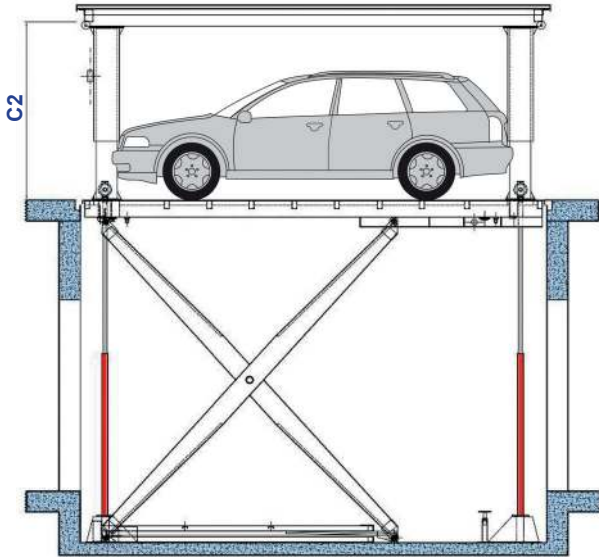


CL1R-5-P

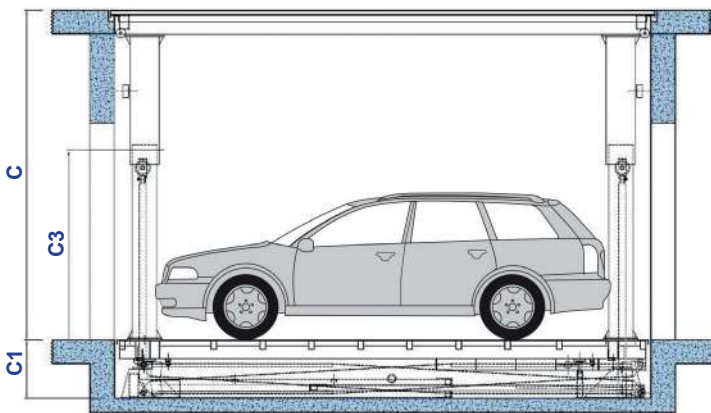
► Car Lift

Technical specification	
N° of cylinders	5
Capacity (kg)	5000
(HP/KW) Motor	5.5/4 (Max. 12.5/9)
Estimated Speed (cm/s)	6/8

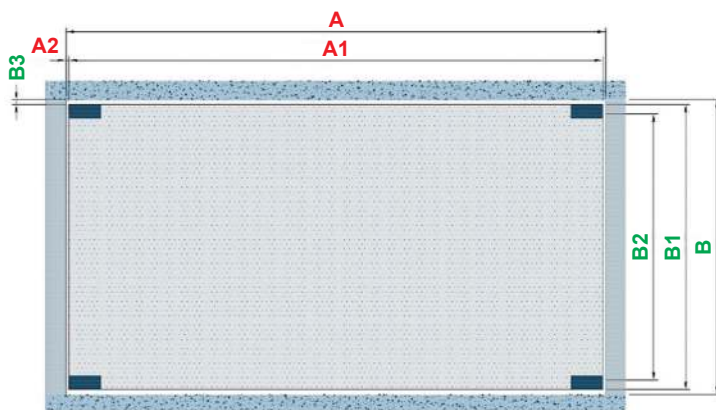
► MODEL WITHOUT DRIVER ON BOARD



Section view – UP



Section view – DOWN



Plant Dimensions

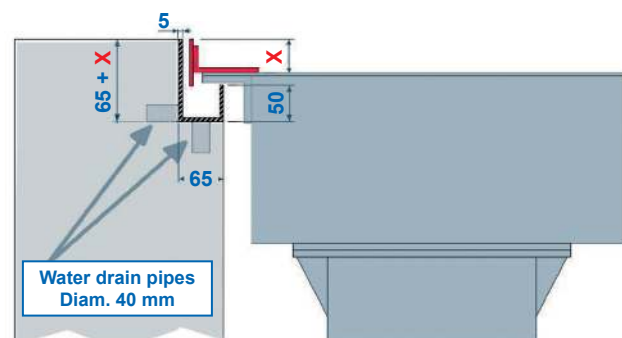
► DIMENSIONS FOR STANDARD MACHINE

Definition	Ref.	Standard (mm)	Max (mm)
Pit length	A	5360	6500
Flatbed length	A1	5310	6450
Wall distance	A2	25	
Pit width	B	2500	3000
Flatbed width	B1	2450	2950
Clear passage	B2	2200	2700
Wall distance	B3	25	
Stroke	C	2700	3800
Extra pit	C1	570/620	
Clear passage	C2	1800	2200



Ex. DRAINAGE CHANNEL FLOOR X mm

More details on other specific sheet



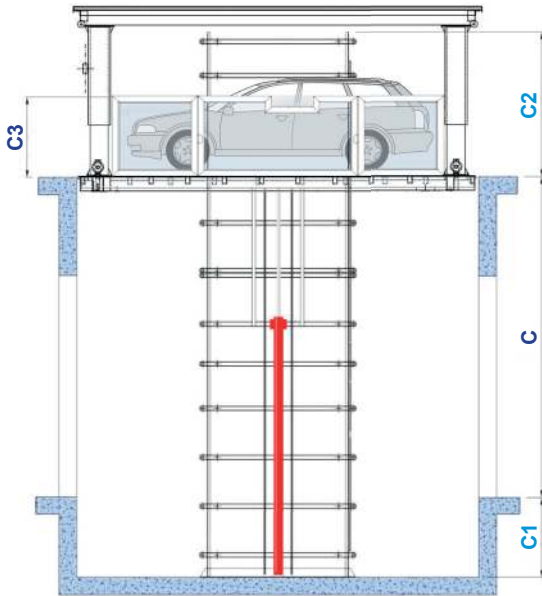
CL1R-C

▶ Car Lift

Technical specification

N° of cylinders	2
Capacity (kg)	3000
(HP/KW) Motor	7.5/5.5 (Max. 12.5/9.5)
Estimated Speed (cm/s)	7/10

▶ MODEL WITHOUT DRIVER ON BOARD



Section view – UP

▶ DIMENSIONS FOR STANDARD MACHINE

Definition	Ref.	Standard (mm)	Max (mm)
Pit length	A	5360	6000
Flatbed length	A1	5310	5950
Wall distance	A2	25	
Pit width	B	3000	3500
Clear passage	B1	2500	3000
Side dimension	B2	250	
Stroke	C	3000	9000
Parapets high	C3	1200	2100

Lateral guide projection over max level (mm)	
C1 Extra pit	C2 Guides projection
300 >>	1200
1500 >>	0

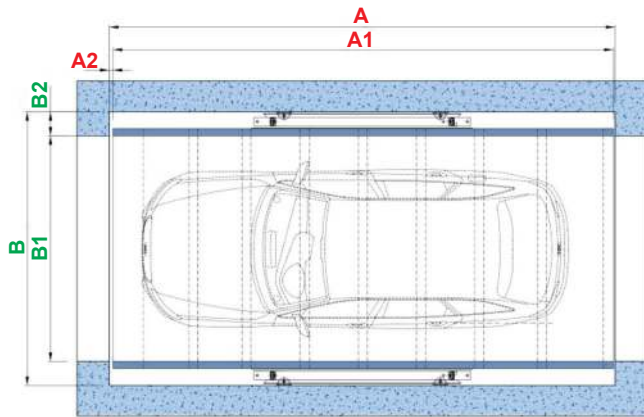
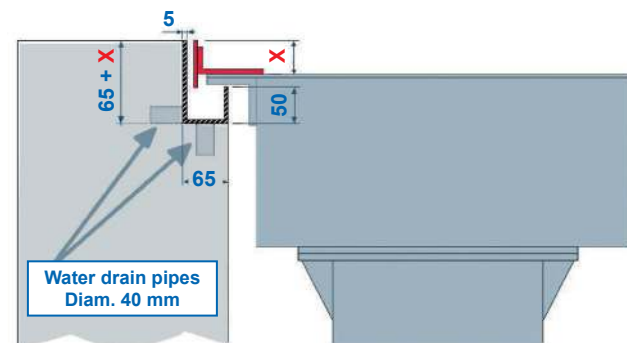


Loads (kN)

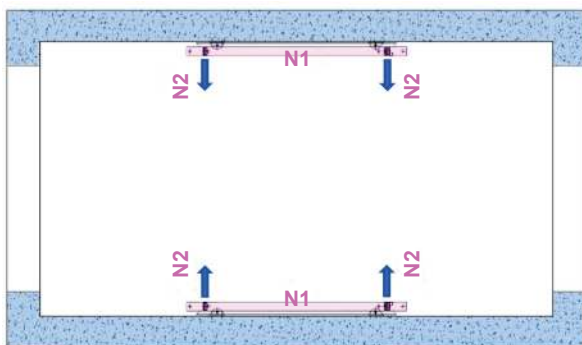
N1	35
N2	2

Ex. DRAINAGE CHANNEL FLOOR X mm

More details on other specific sheet



Plant Dimensions

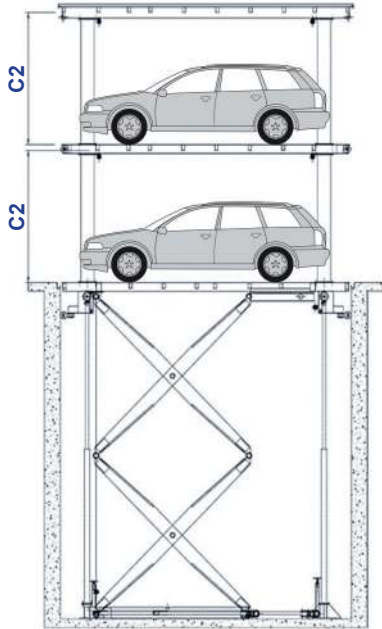


CL2R-P

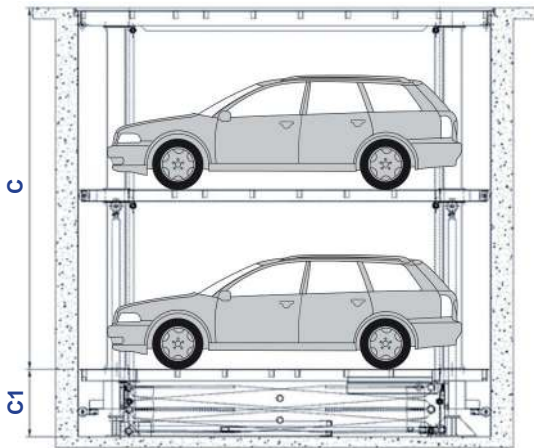
Car Lift

Technical specification	
N° of cylinders	5
Capacity (kg)	5000
(HP/KW) Motor	Min. 7.5/5.5
Estimated Speed (cm/s)	6/8

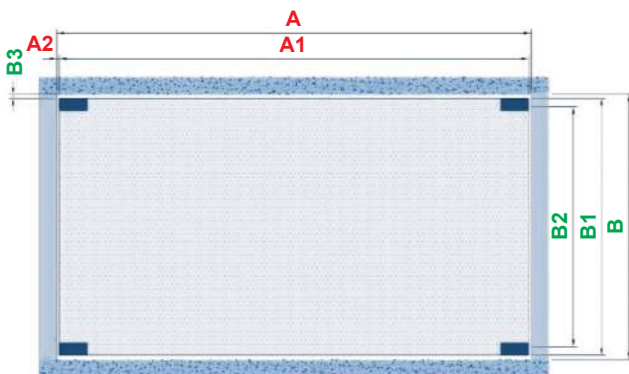
MODEL WITHOUT DRIVER ON BOARD



Section view – UP



Section view – DOWN



Plant Dimensions

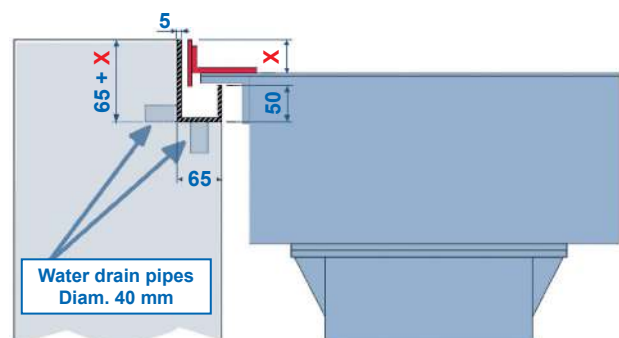
DIMENSIONS FOR STANDARD MACHINE

Definition	Ref.	Max (mm)
Pit length	A	5600
Flatbed length	A1	5550
Wall distance	A2	25
Pit width	B	2800
Flatbed width	B1	2750
Clear passage	B2	2400
Wall distance	B3	25
Stroke	C	4500
Extra pit	C1	910
Clear passage	C2	2100



Ex. DRAINAGE CHANNEL ROOF X mm

More details on other specific sheet

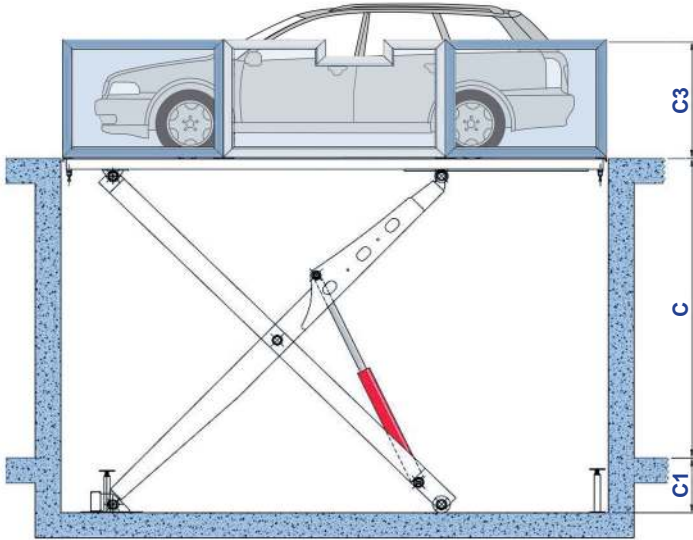


CP1-P

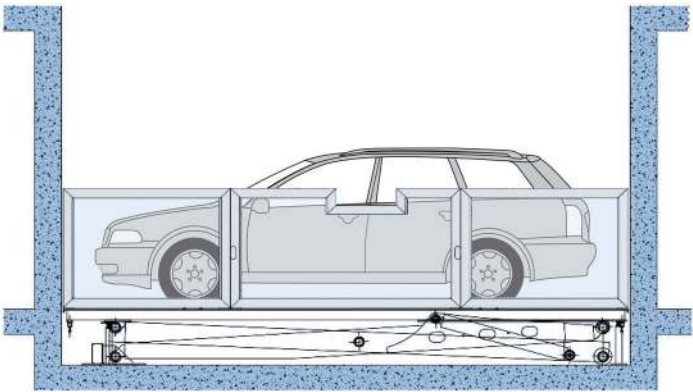
Car Lift

Technical specification	
N° of cylinders	2
Capacity (kg)	2500
(HP/KW) Motor	5.5/4 (Max. 7.5/5.5)
Estimated Speed (cm/s)	7/10

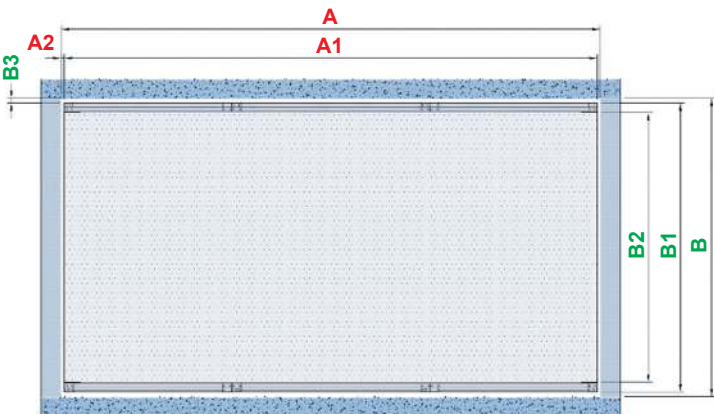
MODEL WITH DRIVER ON BOARD



Section view – UP



Section view – DOWN



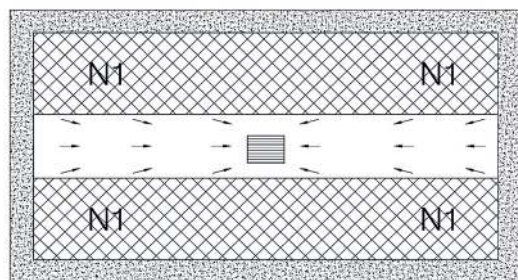
Plant Dimensions

DIMENSIONS FOR STANDARD MACHINE

Definition	Ref.	Standard (mm)	Max (mm)
Pit length	A	5100	6000
Flatbed length	A1	5050	5950
Wall distance	A2	25	
Pit width	B	2500	3000
Flatbed width	B1	2400	2900
Clear passage	B2	2300	2800
Wall distance	B3	50	
Stroke	C	3000	4000
Extra pit	C1	550/650	
Parapets high	C3	1200	2100



Loads (kN)	
N1	35

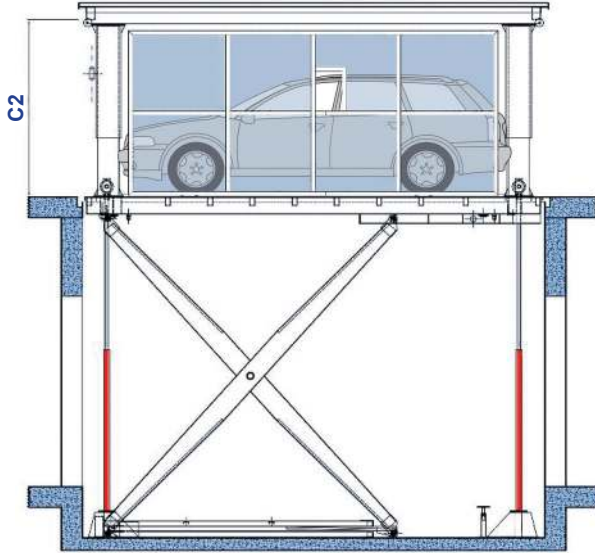


CP1R-5-P

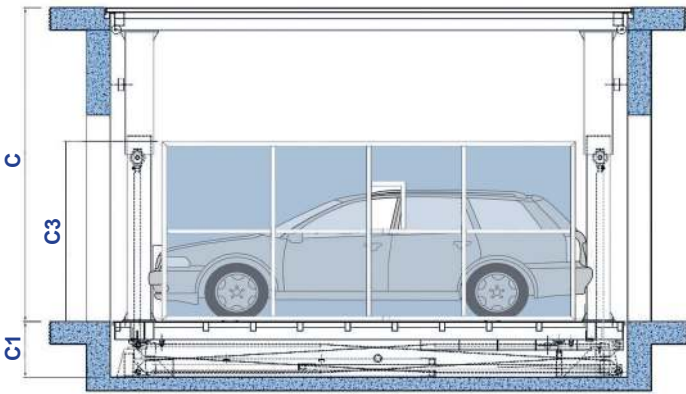
► Car Lift

Technical specification	
N° of cylinders	5
Capacity (kg)	5000
(HP/KW) Motor	5.5/4 (Max. 12.5/9)
Estimated Speed (cm/s)	6/8

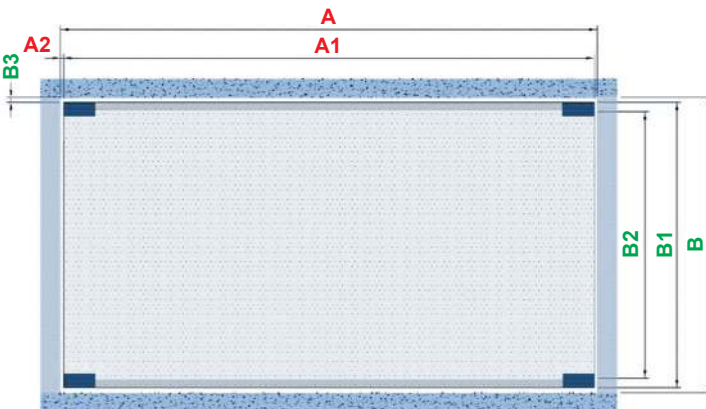
► MODEL WITH DRIVER ON BOARD



Section view – UP



Section view – DOWN



Plant Dimensions

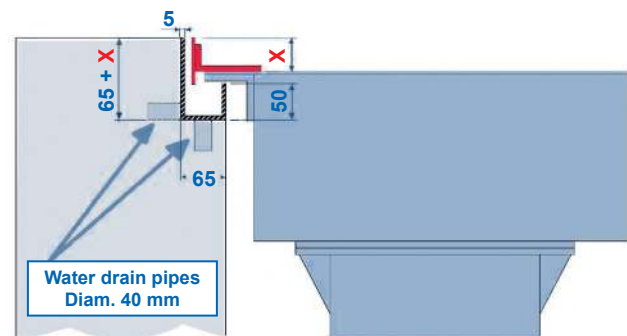
► DIMENSIONS FOR STANDARD MACHINE

Definition	Ref.	Standard (mm)	Max (mm)
Pit length	A	5360	6500
Flatbed length	A1	5310	6450
Wall distance	A2	25	
Pit width	B	2500	3000
Flatbed width	B1	2450	2950
Clear passage	B2	2200	2700
Wall distance	B3	25	
Stroke	C	2700	3800
Extra pit	C1	570/620	
Clear passage	C2	to be defined	
Parapets high	C3	1200	2100



Ex. DRAINAGE CHANNEL FLOOR X mm

More details on other specific sheet



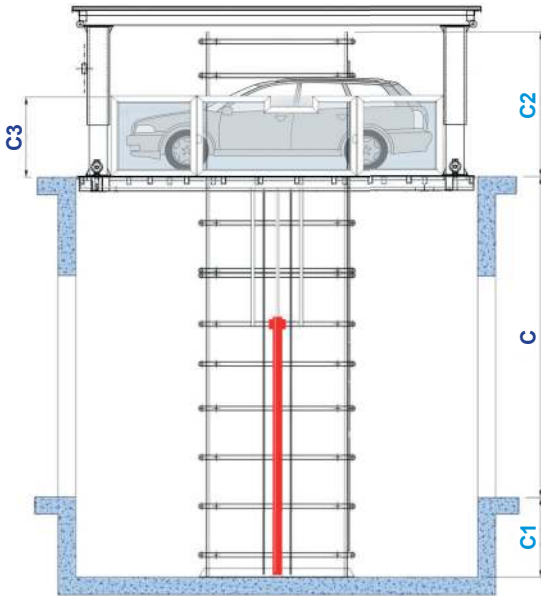
CP1R-C

▶ Car Lift

Technical specification

N° of cylinders	2
Capacity (kg)	3000
(HP/KW) Motor	7.5/5.5 (Max. 12.5/9.5)
Estimated Speed (cm/s)	7/10

▶ MODEL WITH DRIVER ON BOARD



Section view – UP

▶ DIMENSIONS FOR STANDARD MACHINE

Definition	Ref.	Standard (mm)	Max (mm)
Pit length	A	5360	6000
Flatbed length	A1	5310	5950
Wall distance	A2	25	
Pit width	B	3000	3500
Clear passage	B1	2500	3000
Side dimension	B2	250	
Stroke	C	3000	9000
Parapets high	C3	1200	2100

Lateral guide projection over max level (mm)			
C1 Extra pit		C2 Guides projection	
300	>>	1200	
1500	>>	0	

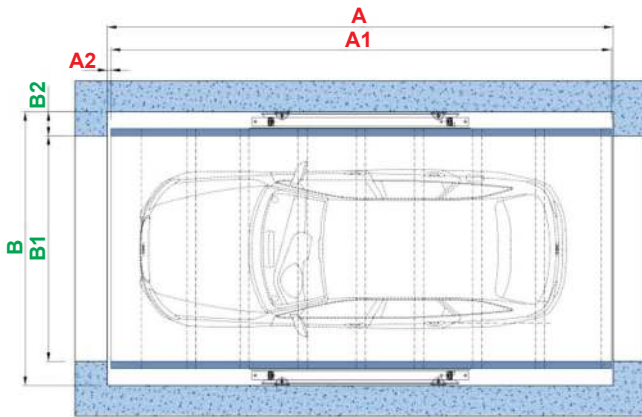
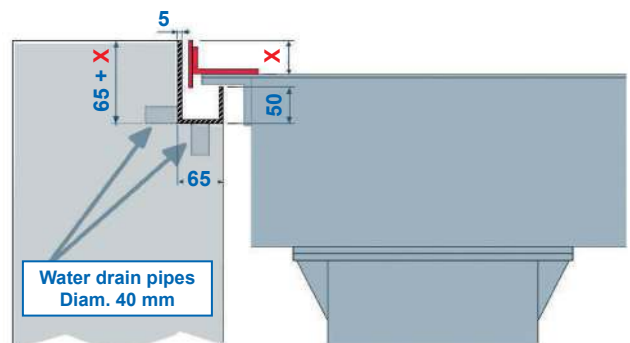


Loads (kN)

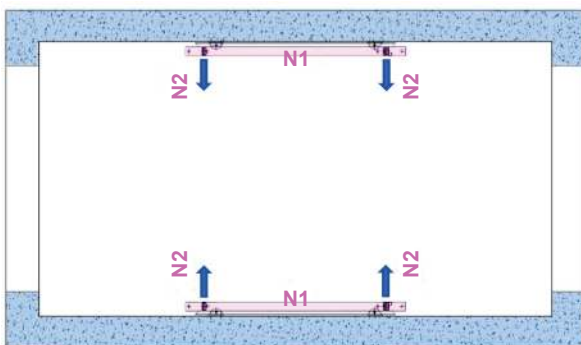
N1	35
N2	2

Ex. DRAINAGE CHANNEL FLOOR X mm

More details on other specific sheet



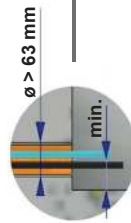
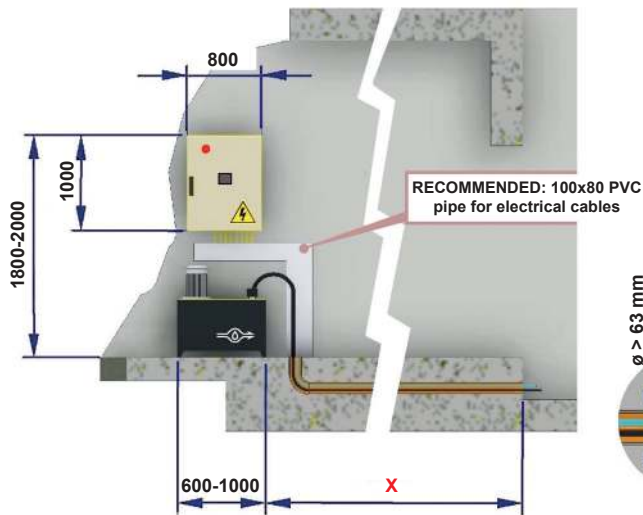
Plant Dimensions



Technical room dimensions

► Car Lift

The room where to place the hydraulic unit and the electric control panel will be positioned must be chosen carefully and must be easily accessible from the outside. It is recommended that this room be closed with its own door with a key.



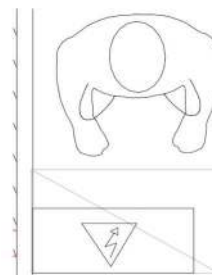
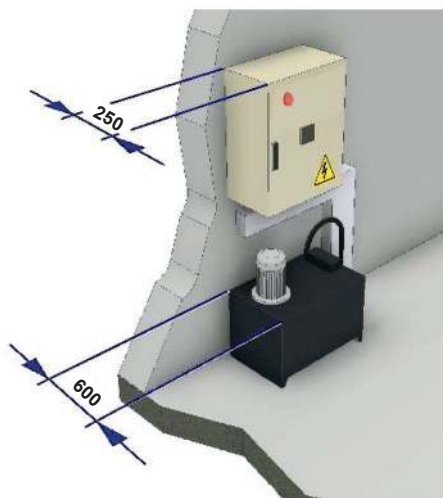
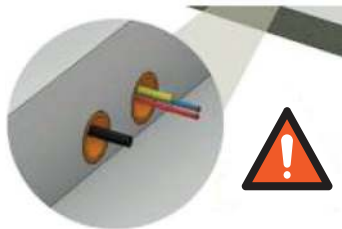
The room chosen must have adequate ventilation to allow the electric motor to dissipate the heat produced during operation ($< 50^{\circ}\text{C}$).

Arrange plastic ducts as indicated for containing all the electrical cables coming from pit compartment, push-button panels, doors etc..

The pit must be connected to the electrical panel with 2 separate pipes with a minimum diameter of 63 mm to allow the passage of electric cables and hydraulic hoses. Avoid 90° bends in the pipes.

The pipes that connect the control unit to the pit must be positioned as lowest as possible, this to avoid 90° curves of the hydraulic hoses inside the pit of the lift.

When positioning the electrical panel and the hydraulic power unit, consider the measures indicated and provide sufficient space in front of it to ensure easy maintenance.



POWER PACK